



Single Acting Cylinders

- Heavy Duty Return Spring for quicker retraction.
- Solid steel cylinder body

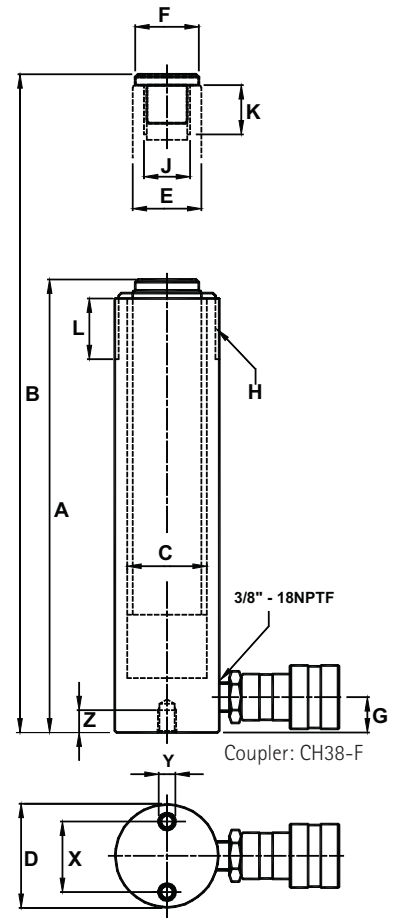
Model Number	Stroke (mm)	A	B	Oil Capacity (cc)	Weight (Kg)
		Min. Height (mm)	Max. Height (mm)		
CYLINDER CAPACITY: 5 TON = 45 kN					
H0501	26	116	142	16	1.4
H0503	78	169	247	50	1.6
H0505	129	221	350	83	2.1
H0507	180	272	452	116	2.3
H0509	231	323	554	149	2.5
CYLINDER CAPACITY: 10 TON = 101 kN					
H1001	25	92	117	36	1.8
H1002	51	123	174	73	2.3
H1004	102	174	276	147	3.1
H1006	151	250	401	218	4.3
H1008	202	301	503	291	5.4
H1010	253	352	605	365	6.4
H1012	305	403	707	438	6.8
H1014	356	450	806	514	7.5
CYLINDER CAPACITY: 15 TON = 142 kN					
H1501	25	124	149	51	3.3
H1502	51	149	200	103	3.9
H1504	101	200	301	204	5.1
H1506	152	270	422	308	7.0
H1508	203	321	524	411	8.0
H1510	254	372	626	515	9.3
H1512	305	423	728	618	10.9
H1514	356	474	830	721	11.8
H1516	407	529	936	824	12.8
CYLINDER CAPACITY: 25 TON = 232 kN					
H2501	26	143	169	86	6.1
H2502	51	168	219	169	6.6
H2504	102	219	321	338	8.7
H2506	155	272	427	514	10.5
H2508	206	323	529	683	12.3
H2510	257	374	631	852	14.0
H2512	310	426	736	1028	15.3
H2514	362	476	838	1201	17.7
CYLINDER CAPACITY: 30 TON = 287 kN					
H3008	210	387	599	879	18.5
CYLINDER CAPACITY: 50 TON = 496 kN					
H5502	51	176	227	361	15.5
H5504	101	227	328	715	19.3
CYLINDER CAPACITY: 50 TON = 496 kN (INCL. 2 CARRY HANDLES)					
H5506	158	283	441	1119	23.5
H5510	260	384	644	1845	34.0
H5513	337	461	798	2388	36.8
CYLINDER CAPACITY: 75 TON = 726 kN (INCL. 2 CARRY HANDLES)					
H7506	156	285	441	1620	30.6
H7513	333	492	825	3458	52.4
CYLINDER CAPACITY: 100 TON = 928 kN (INCL. 2 CARRY HANDLES)					
H10006	168	357	525	2229	52.4
H10010	260	449	709	3451	68.7
H10002	51	219	270	677	31.5

High Tonnage Cylinders we can offer up to 1000 Ton on Special Request!





SINGLE ACTING CYLINDERS



Model Number	Capacity kN	Cylinder Effective Area (cm ²)	C	D	E	F	G	H	L	J	K	Base Mounting Hole		
			Bore Ø (mm)	Outside Ø (mm)	Plunger Ø (mm)	Saddle Ø (mm)	Collar Base to Inlet Port (mm)	Plunger Collar Thread	Plunger Thread Length (mm)	Internal Length	Thread Length (mm)	Bolt Circle (mm)	Thread	Thread Depth (mm)
5 Ton	45	6.4	29	38	25	25	20	1 1/2"-16	28	3/4"-16UNF	16	25	1/4"-20UNC	14
H1001	101	14.5	43	57	38	N/A	20	2 1/4"-14	29	10-24UNC	6	40	5/16"-18UNC	14
10 Ton	101	14.5	43	57	38	35	20	2 1/4"-14	29	1"-8UNC	20	40	5/16"-18UNC	14
15 Ton	142	20.3	51	70	41	38	25	2 3/4"-16	30	1"-8UNC	25	48	3/8"-16UNC	13
25 Ton	232	33.2	65	85	57	50	25	3 5/16"-12	49	1 1/2"-16	30	59	1/2"-13UNC	19
30 Ton	287	41.9	73	102	57	50	50	3 5/16"-12	49	1 1/2"-16	30	N/A	N/A	N/A
50 Ton	496	70.8	95	127	80	70	31	5"-12	55	N/A	N/A	95	1/2"-13UCN	19
75 Ton	726	103.9	115	147	95	70	30	5 3/4"-12	44	N/A	N/A	N/A	N/A	N/A
100 Ton	928	132.7	130	177	105	70	40	6 7/8"-12	44	N/A	N/A	140	3/4"-10UNC	25
H10002	928	132.7	130	159	105	70	38	6 7/8"-12	56.9	N/A	N/A	140	3/4"-10UNC	25

Accessories

