

Hydraulic Hand Pumps (Manual Control Valve)

- Internal pressure relief valve for overload protection.
- Large oil capacities to power a wide range of cylinders and tools.
- Maximum working pressure: 700 bar (10,000 psi).
- 4-Way manual control valve for operation of double acting cylinders.



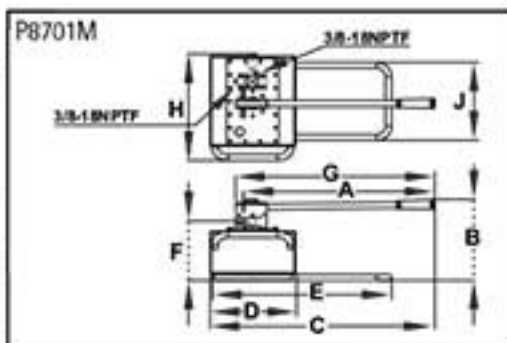
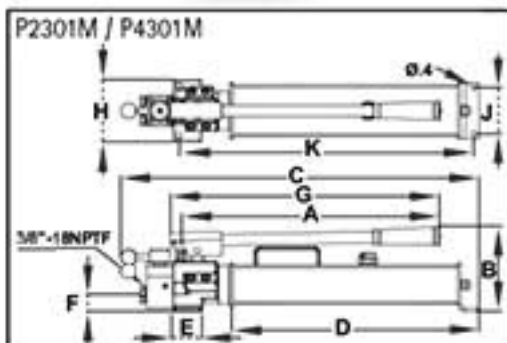
P4301M



P8701M



P2301M



Model Number	A (mm)	B (mm)	C (mm)	D (mm)	E (mm)	F (mm)	G (mm)	H (mm)	J (mm)	K (mm)
P2301M	525	173	693	597	60	38	552	135	90	573
P4301M	525	195	665	569	60	38	552	135	95	545
P8701M	655	295	771	293	614	210	684	387	284	-

Model Number	Stage	Usable Oil Capacity (c.c.)	Pressure Rating		Oil Displacement per Stroke		Max. Operating Force (N)	Piston Stroke (mm)	Oil Outlet Port	Weight (kg)
			1 st Stage (bar)	2 nd Stage (bar)	1 st Stage (cc)	2 nd Stage (cc)				
P2301M	Two Speed	2100	14	700	13.2	2.30	440	20.7	3/8"-18NPTF	14.6
P4301M	Two Speed	4100	14	700	13.2	2.30	440	20.7	3/8"-18NPTF	19.0
P8701M	Two Speed	7800	20	700	119.8	4.73	650	42.5	3/8"-18NPTF	35.2

Valve Operation	Valve Type	Use with Cylinder	Hydraulic Symbol	Schematic Flow path	Weight (kg)
Manual	4-way, Tandem Center	Double Acting			1.8

Accessories

