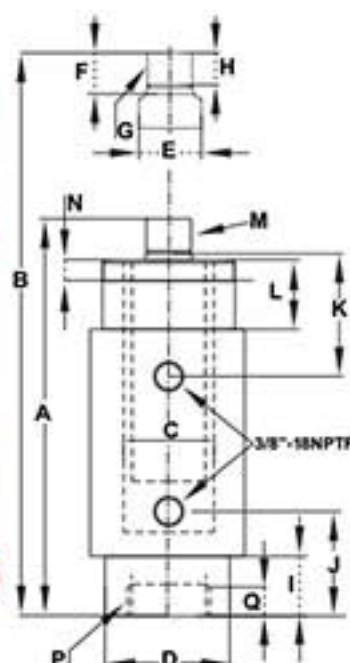


High Precision Double Acting Cylinders

- Ideal for pushing and pulling applications.
- The best choice for production applications.
- High strength steel construction.
- One piece high grade alloy bearing for side load protection and longer life.
- Polyurethane cup seal helps to provide an optimal performance.
- External plunger threads.
- Internal base threads.
- Maximum working pressure: 700 bar (10,000 psi).

Model Number	Stroke (mm)	A		B		Oil Capacity		Weight (Kg)
		Min. Height (mm)	Max. Height (mm)	Push (cc)	Pull (cc)			

CYLINDER CAPACITY: PUSH 8 TON & PULL 4.5 TON							
HPD0906	155	350	505	175	99	6.6	
HPD0910	257	452	709	291	165	8.4	
CYLINDER CAPACITY: PUSH 15 TON & PULL 7.1 TON							
HPD1606	159	389	548	322	160	10.0	
HPD1610	260	490	750	527	262	12.8	

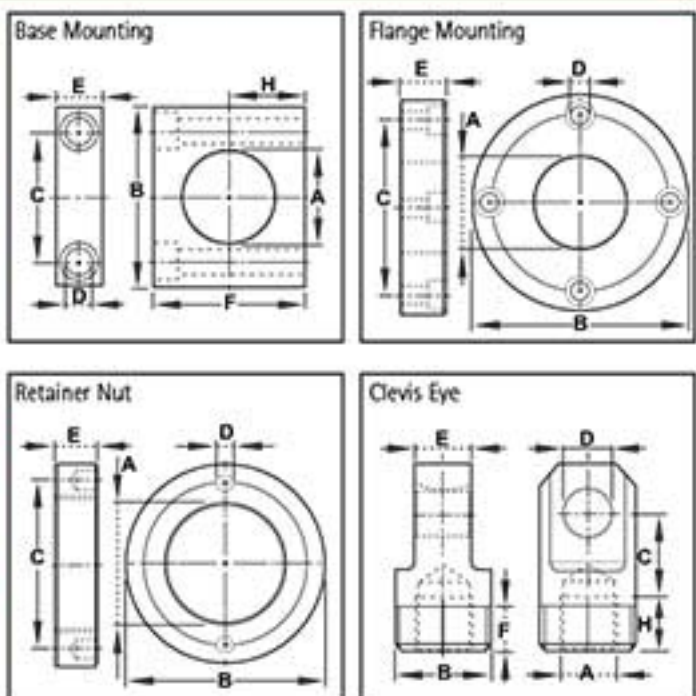


Max. Cylinder Capacity	Cylinder Effective Area		C Bore Ø (mm)	D Cylinder Outside Ø (mm)	E Ø (mm)	F Protrusion (mm)	Plunger			J Base to Inlet Port (mm)	K Top to Inlet Port (mm)	L Lgth (mm)	Collar			P Int. Base Thread Ø	Q Int. Base Thread Length (mm)
	Push (kN)	Pull (kN)					Push (cm²)	Pull (cm²)	G Thread Ø				H Tread Lgth (mm)	M Thread Ø	N Thread Lgth (mm)		
8 Ton	79	45	11.3	6.4	38	64	25	25	3/4"-16N	19	56	56	38	2"-12N	15	111/16"-18N	35
15 Ton	142	71	20.3	10.8	50	76	36	28	1 1/8"-12N	25	73	73	54	2 5/8"-16N	25	2 3/16"-16N	41

Accessories for High Precision Cylinders

Art. Number for Hydr. Cylinders HPD090x	Art. Number for Hydr. Cylinders HPD160x		
CEBN09	CEBN16		Base Mounting with Retainer Nut
CEFN09	CEFN16		Flange Mounting with Retainer Nut
CED09	CED16		Clevis Eye
CEN09	CEN16		Retainer Nut

Model Number	Dimensions						
	A (mm)	B (mm)	C (mm)	D (mm)	E (mm)	F (mm)	H (mm)
CYLINDER CAPACITY: 9 TON							
CEBN09	50.80	101.60	73.15	13.50	25.40	82.50	44.45
CEFN09	50.80	121.00	98.55	10.00	25.40	-	-
CED09	3/4"-16N	1-11/16"-18N	33.30	19.05	25.40	25.40	23.90
CEN09	2"-12N	76.00	63.50	7.00	12.70	-	-
CYLINDER CAPACITY: 16 TON							
CEBN16	66.80	130.00	95.50	19.50	35.00	101.60	52.30
CEFN16	66.80	143.00	115.80	13.50	35.00	-	-
CED16	1-1/8"-12N	2-3/16"-16N	47.80	25.40	31.75	25.40	30.20
CEN16	2-5/8"-16N	92.00	79.20	7.00	19.00	-	-



Cylinder Accessories

Flange



Hose



Gauge



Hand Pump

