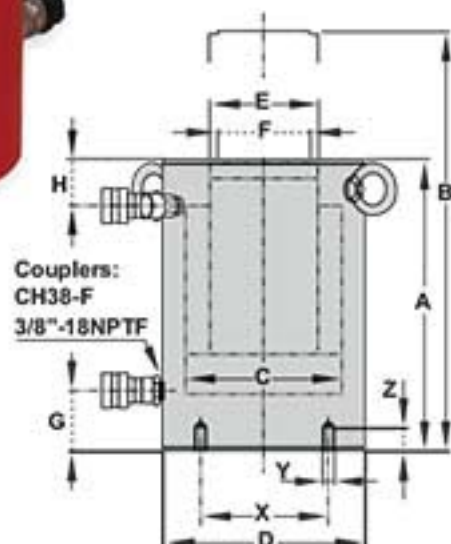


## High Tonnage Double Acting Cylinders

- Cylinders are burnish rolled for a smooth precision mirror finish.
- Industrial hard chrome plated ram prevents scratching and corrosion.
- Base mounting holes standard on all models.
- Rod wiper seals out dirt and contamination.
- High strength steel construction from gun drilled solid bar.
- High flow 3/8"-18NPTF couplers.
- Ideal for pushing and pulling.
- Maximum working pressure:  
10,000 psi / 700 bar.



Model Number	Stroke (mm)	A		B		Oil Capacity		Weight (Kg)
		Min. Height (mm)	Max. Height (mm)	Push (cc)	Pull (cc)			
<b>CYLINDER CAPACITY: 95 TON (METRIC)</b>								
HDG10002	50	182	232	664	309	27.7		
HDG10004	100	232	332	1327	618	33.6		
HDG10006	150	282	432	1991	928	39.6		
HDG10008	200	332	532	2655	1237	45.5		
HDG10010	250	382	632	3318	1546	51.5		
HDG10012	300	432	732	3982	1856	57.5		
<b>CYLINDER CAPACITY: 140 TON (METRIC)</b>								
HDG15002	50	196	246	983	506	46.5		
HDG15004	100	246	346	1963	1013	55.3		
HDG15006	150	296	446	2945	1519	64.3		
HDG15008	200	346	546	3926	2025	73.3		
HDG15010	250	396	646	4907	2531	82.3		
HDG15012	300	446	746	5889	3038	91.5		



Capacity		Cylinder Effective Area		C	D	E	F	G	H	Base Mounting Hole		
Push (kN)	Pull (kN)	Push (cm²)	Pull (cm²)	Cyl. Bore Ø (mm)	Outside Ø (mm)	Plunger Ø (mm)	Saddle Ø (mm)	Base to Inlet Port (mm)	Top to Inlet Port (mm)	Pitch Ø (mm)	Thread Ø	Thread Depth (mm)
<b>CYLINDER CAPACITY: 95 TON</b>												
930	433	132.7	61.9	130.0	165.1	95.0	75.0	54.1	48.0	95.0	M12	22.10
<b>CYLINDER CAPACITY: 140 TON</b>												
1375	710	196.3	101.3	158.0	205.0	110.0	94.0	61.0	56.4	130.0	M12	22.10