

# Flange Service Tools MATCH

# MSW9TEX

MECHANICAL FLANGE SPREADER WEDGE  
ATEX SINGLE KIT

## PRODUCT DATA SHEET



### SPREADING FORCE:

With 203 N · m of torque applied: 9.4 Ton  
It is recommended that tools are used in pairs giving:  
2 x 9.4 Ton = 18.8 Ton



### KIT CONTENTS

- 1 x Wedgehead
- 1 x 203 N·m (150 ft·lb) Torque Wrench with 22 mm socket
- 1 x Safety Block
- 1 x Safety Lanyard incl. 2 Buckles
- 1 x Pair of Stepped Blocks
- 1 x Hex Key
- 1 x Molding Case

Product Code: MSW9TEX Single Kit

Flange Spreader MSW9TEX is marked:



II 2G Ex h IIB T6 Gb  
II 2D Ex h IIIC T85°C Db

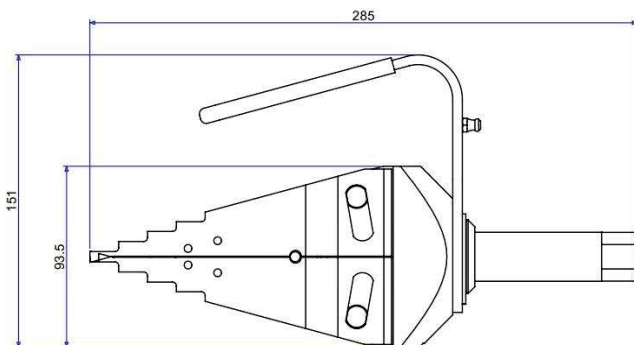
TOOL WEIGHT = 5.8 kg

### WEIGHTS AND DIMENSIONS

Tool Weight: 5.8 kg  
Torque Wrench: 1.5 kg  
Safety Block: 0.38 kg  
Pair of Stepped Blocks: 1.05 kg

Molding Case: 3.0 kg  
Gross Weight: 11.83 kg  
Molding Case Dimensions:  
580 mm x 340 mm x 180 mm

TOOL DIMENSIONS - CLOSED



TOOL DIMENSIONS - OPEN

