

# MFA4T

## MECHANICAL FLANGE ALIGNMENT TOOL

## PRODUCT DATA SHEET



ALIGNING FORCE: 4 Ton  
WING EXTENSION: 45-158mm

### KIT COMPONENTS

- 1 x MFA4T Tool
- 1 x 68N·m Torque Wrench
- 1 x 22mm Socket
- 1 x Ratchet Strap
- 1 x Molding Case

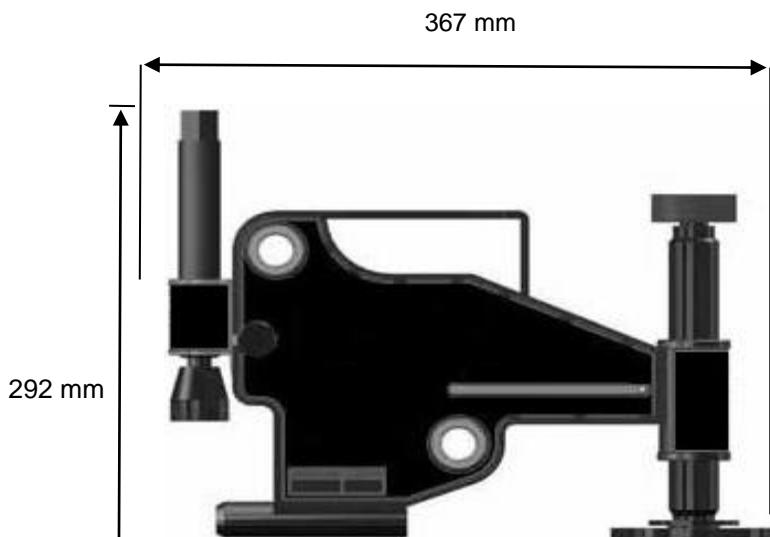
Product Code: MFA4T

TOOL WEIGHT: 8.6 kg

### WEIGHTS AND DIMENSIONS

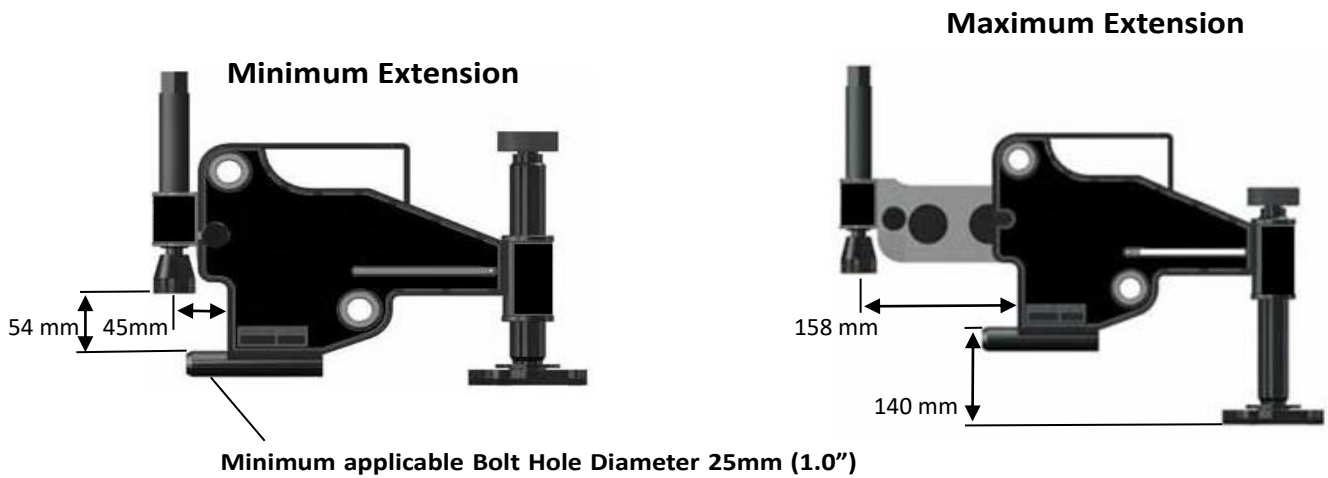
Tool weight: 8.6 kg  
Case weight: 2.5 kg  
Gross weight: 12.2 kg

Molding Case Dimensions:  
600 mm x 370 mm x 200 mm



# MFA4T

MECHANICAL FLANGE ALIGNMENT TOOL



## RANGE OF APPLICATION

ASME	150#	10" ~ 34"
	300#	8" ~ 14" & 26" ~ 36"
	400#	3½" ~ 10" & 26" ~ 36"
	600#	3½" ~ 8" & 26" ~ 36"
	900#	1" ~ 3" & 4" ~ 6"
	1500#	1¼" ~ 3"
	2500#	1" ~ 2½"

**For other flange types, please contact the authorized dealers.**